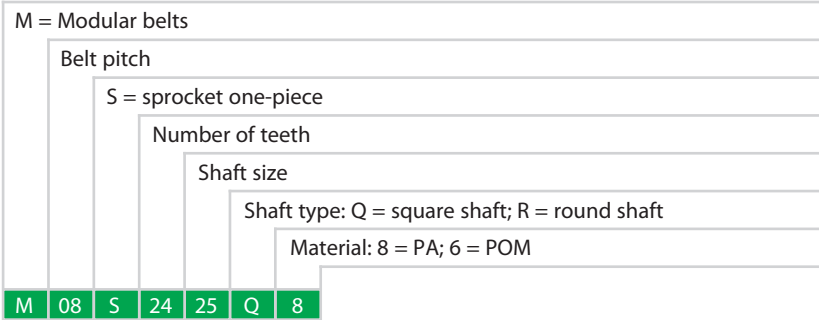


HabasitLINK[®]

Sprocket series M0800



Sprocket availability

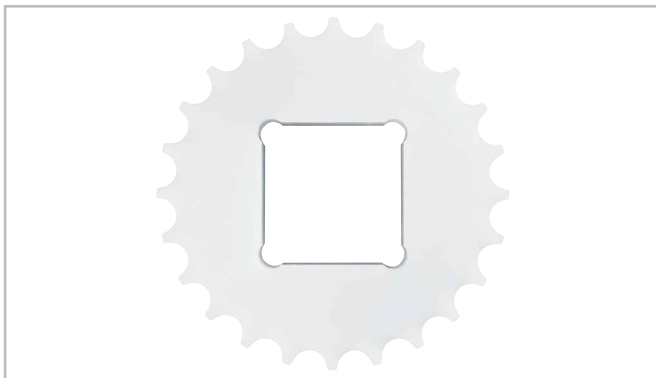
Type	Number of teeth	Diam. of pitch ϕd_p		A_1		Hub width B_L		Square bore Q		Ø Round bore R		Standard material
		mm	inch	mm	inch	mm	inch	mm	inch	mm	inch	
S-C1	18	46.5	1.83	20.2	0.79	25	1	20	0.75	25	1	POM
S	24	61.8	2.43	27.9	1.10	25	1	25	1	-	-	POM
S	36	92.6	3.65	43.3	1.70	25	1	40	-	-	-	POM

S: molded sprockets; S-C1: machined sprockets. Other sprocket and hub sizes on request.

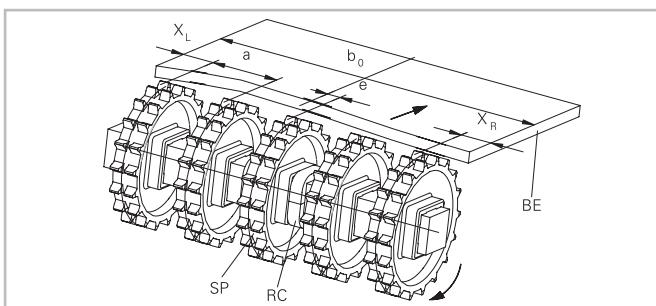
Key ways for round bore shape follow European standards for metric sizes and US standards for imperial sizes.

For detailed dimensions see table in the Design Guide.

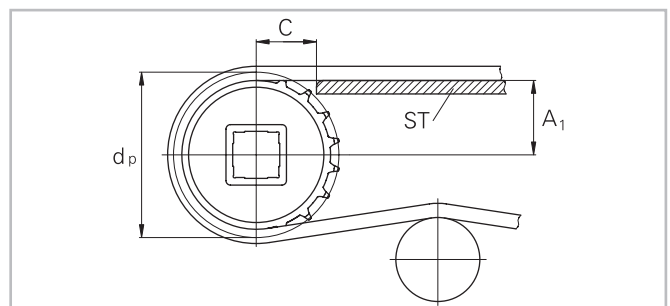
Other materials are available on request.



Sprocket arrangement



BE Belt
 RC Retainer
 SP Sprocket
 b_0 belt width



The distance C between the sprocket axis and the slider support ST is minimal 28 mm (1.1").

Wearstrips

Between driving shaft and idling sprockets or rollers the belt is carried by a slider support furnished with longitudinal wear strips (SL) from UHMW Polyethylene or other suitable material.